

advanced FLOW engineering

Dynamic Air Scoop D.A.S.

Instruction Manual P/N: 56-70065S

Make: Toyota

Model: GR Corolla

Year: 2023-2024

Engine: L3-1.6L(t)

ONLY WORKS WITH TAKEDA AIR INTAKE SYSTEM 56-70065R & 56-70065D



- Please read the entire instruction manual before proceeding.
- Ensure all components listed are present.
- If you are missing any of the components, call customer support at 951-493-7185.
- Ensure you have all necessary tools before proceeding.
- Do not attempt to work on your vehicle when the engine is hot.
- Retain factory parts for future use.

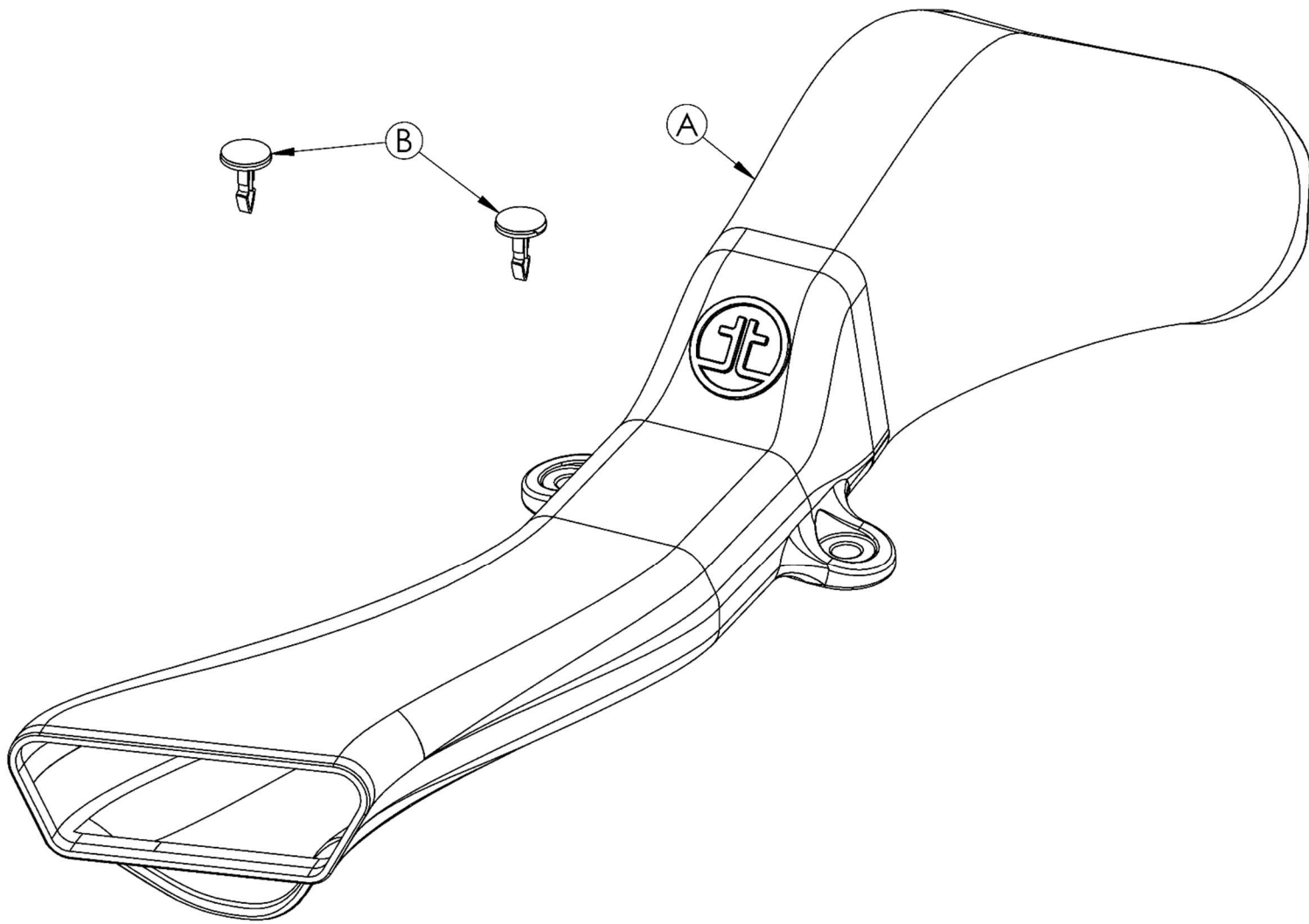
| Label | Qty. | Description | Part Number |
|-------|------|---|--------------|
| A | 1 | Scoop, 56-70065 | 05-5670065B3 |
| B | 2 | Push Clip: 6.5mm Hole x 18mm Head x 22mm Long | 03-50773 |

Installation will require the following tools:

Plastic Clip Removal Tool

Warranty Information available at: <https://afepower.com/contact#warranty>

Emissions Disclaimer: This product is not currently CARB exempt and is not available for purchase in California or for use on any vehicle registered with the California Department of Motor Vehicles.



**Figure A****Refer to Figure A for Steps 1-3.**

Step 1: Remove the front cover by carefully removing the seven (7) factory retainer clips.

Step 2: Remove TAKEDA plug if installed.



Figure B

Refer to Figure B for Steps 3-4

Step 3: Remove the two (2) factory retainer clips holding down the factory air scoop.

Step 4: Carefully remove the factory scoop from the airbox.



Figure C

Refer to Figure C for Steps 5-6

Step 5: Remove the two (2) factory retainer clips.

Step 6: Squeeze the snap-in anchor from underneath the flange to fully release the factory grill scoop.



Figure D

Refer to Figure D for Step 8

Step 7: Carefully install the TAKEDA Dynamic Air Scoop (D.A.S.) and secure it with the retainer clips provided in the kit.

NOTE: Inspect that the front grill port is in line with the TAKEDA D.A.S. inlet port and inspect that the TAKEDA housing is fully seated in the factory grommets.



Figure E

Refer to Figure E for Step 9

Step 8: Install front cover and install the seven (7) factory retainer clips.



Your installation is now complete. Thank you for choosing Takeda USA!

NOTE: Check to ensure that all screws, clamps, and connectors are secure after 100-200 miles.



PAGE LEFT BLANK INTENTIONALLY



PAGE LEFT BLANK INTENTIONALLY



advanced FLOW engineering, inc.

Corona, CA 92879

<https://afepower.com/contact>